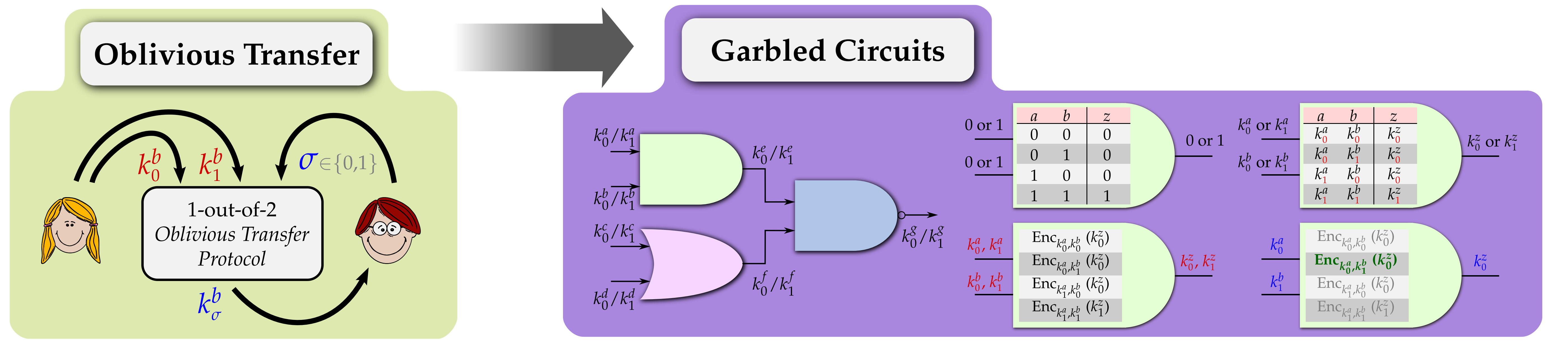
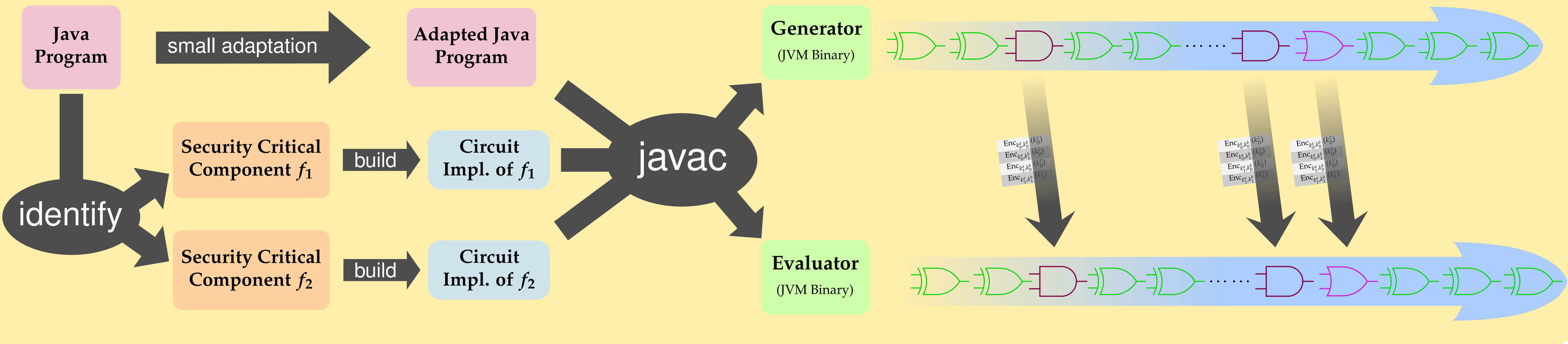


Secure Computation on Mobile Devices

Yan Huang Peter Chapman David Evans
 University of Virginia <http://www.mightbeevil.org/mobile>

Smartphones store highly sensitive information and are the most trusted computing device people own. They offer an ideal platform for privacy-preserving applications.



```

public class BITAND {
    Circuit cc;

    public BITAND() {
        cc = AND_2_1.newInstance();
        cc.build();
    }

    public State[] execute(State[] s) {
        int L = s.length()/2;
        State[] result = new State[L];

        for (int i = 0; i < L; i++) {
            State in = State.concatenate(s[2*i], s[2*i+1]);
            result[i] = cc.startExecuting(in);
        }

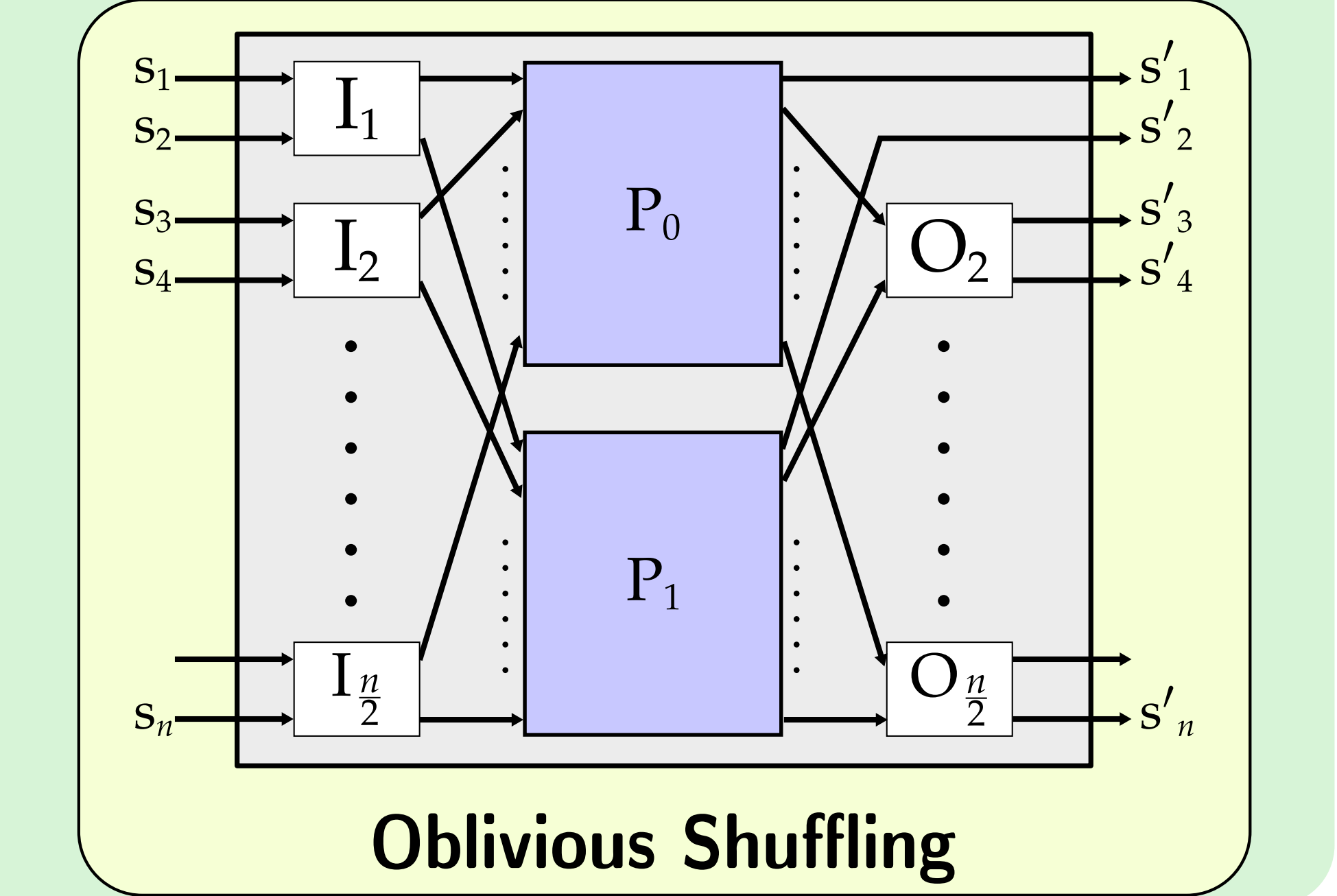
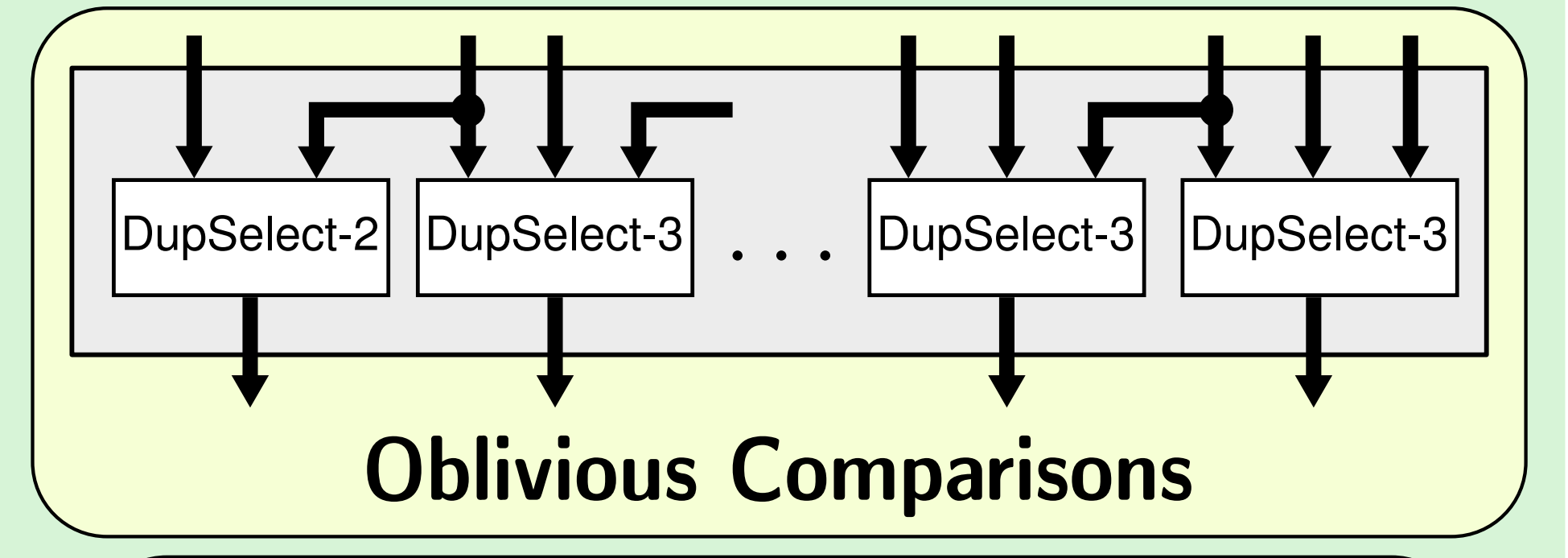
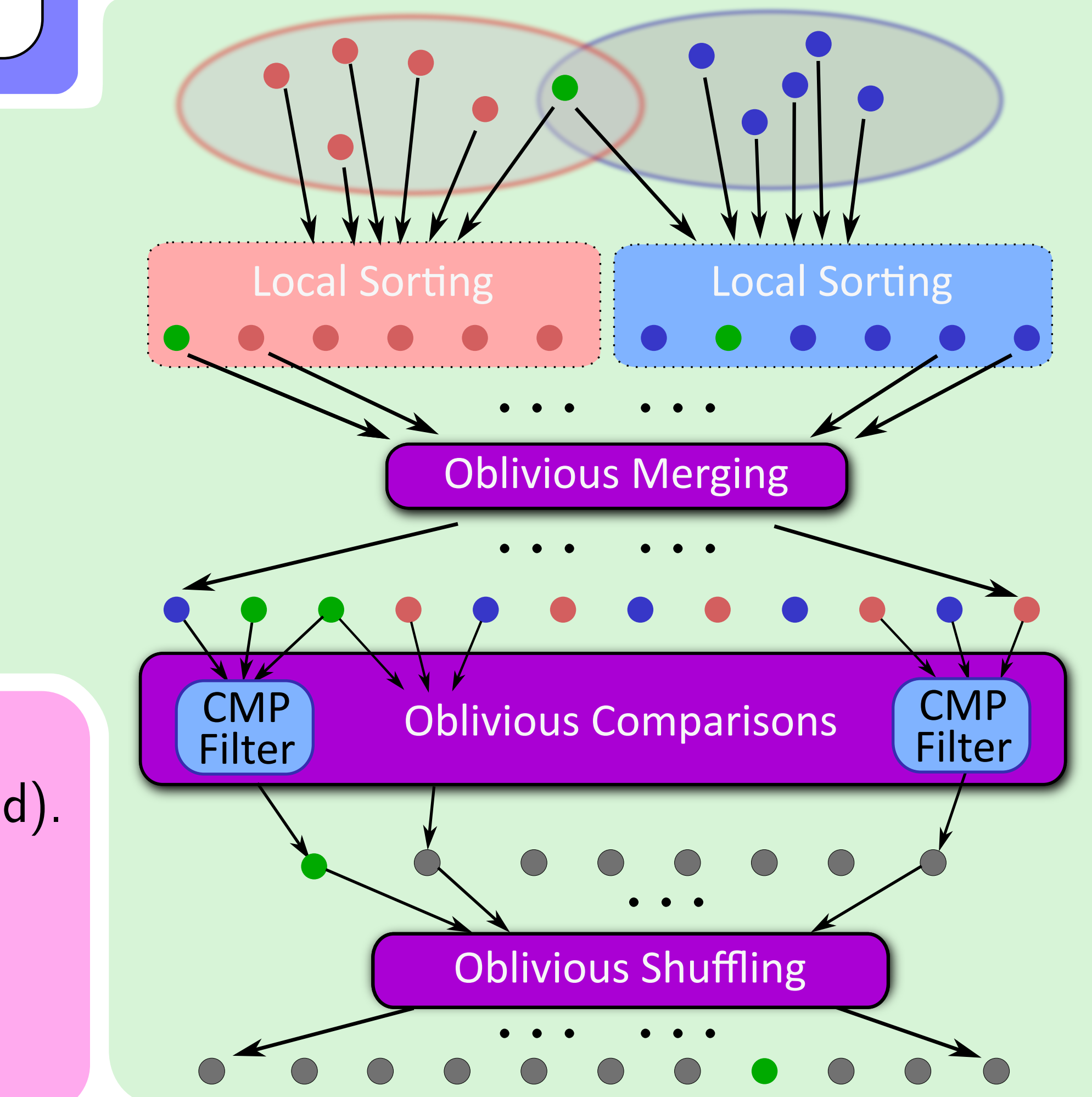
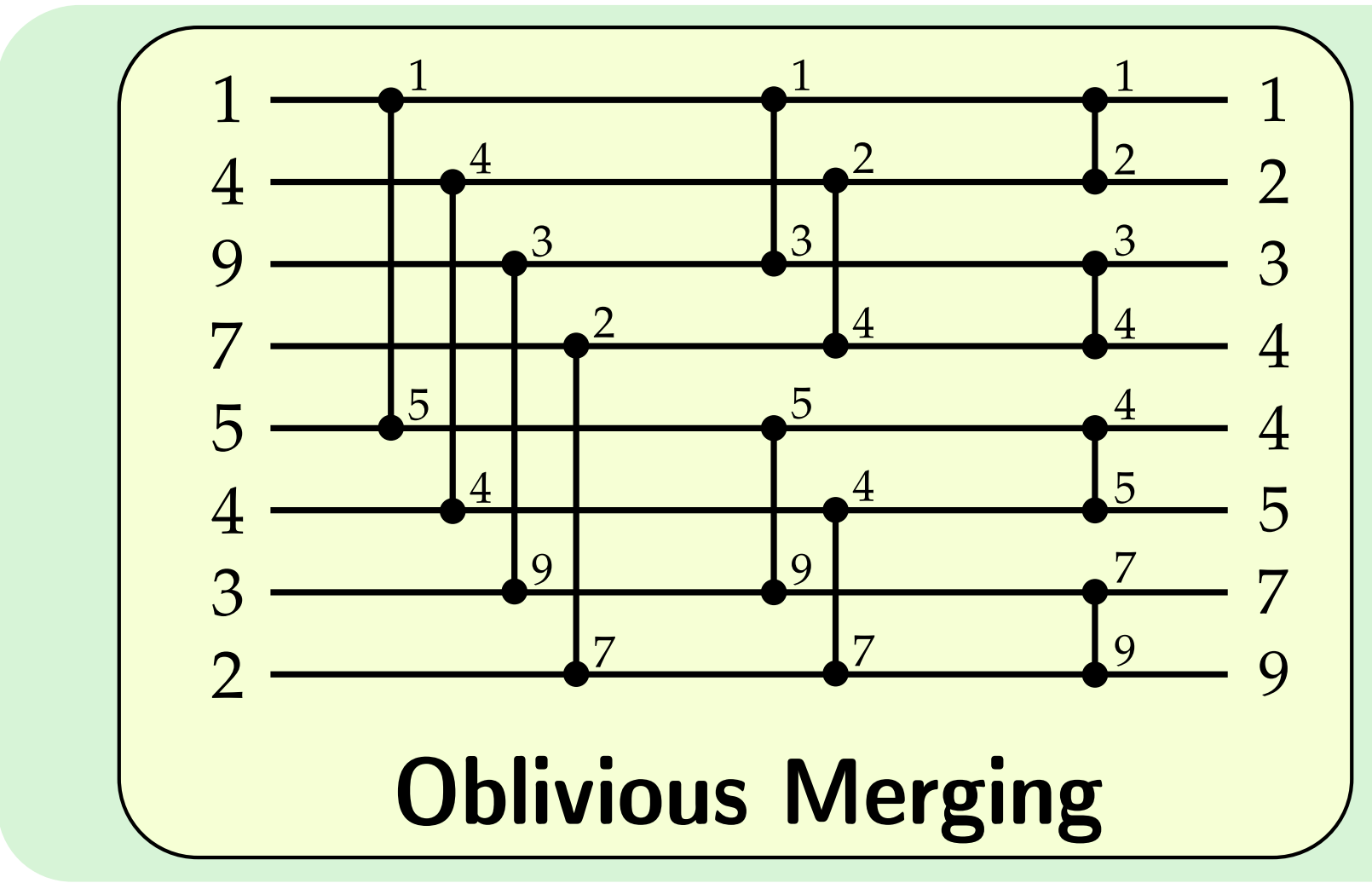
        return result;
    }
}
    
```

Best Papers Opinion

Try our Android app to find which symposium papers you and another person agree are the best.

Common Contacts

Try our Android app to find the common contacts you share with another person without exposing the rest of your contacts.



Collaborators: Jonathan Katz (UMd), SangHyung Koo (UVa), Lior Malka (UMd).
Funding: Air Force Office of Scientific Research (MURI), National Science Foundation, DARPA. Thanks to Google for the Nexus Ones.